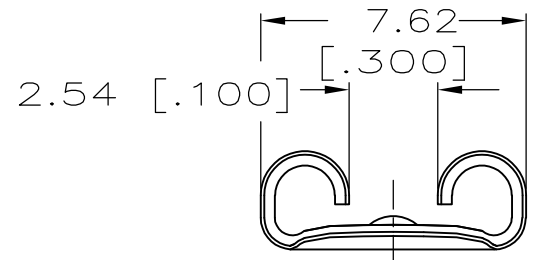
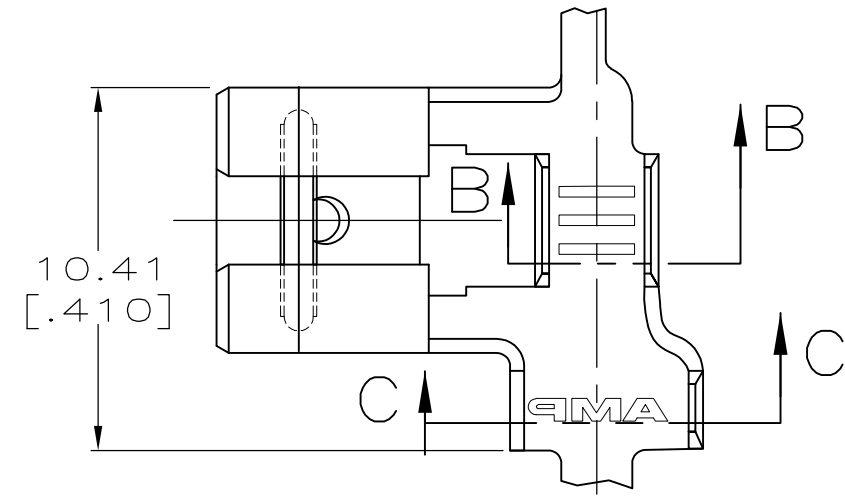
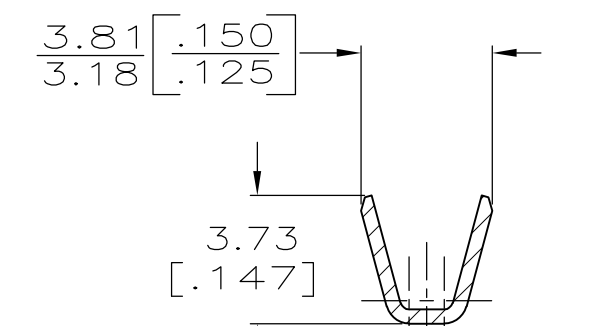


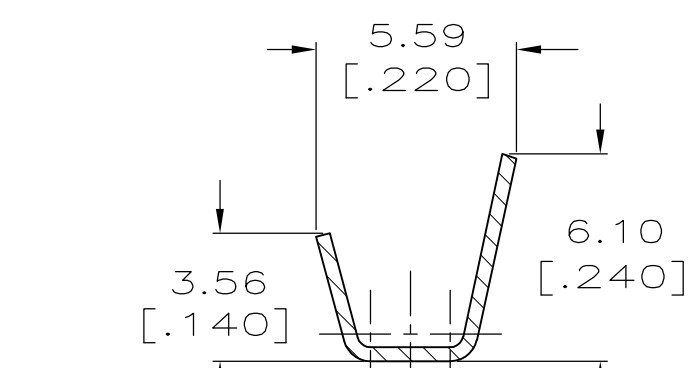
LOC		DIST		REVISIONS					
AF		50		P	LTR	DESCRIPTION	DATE	DWN	APVD
				J1		REVISED PER ECO-15-000201	07JAN15	JR	PD



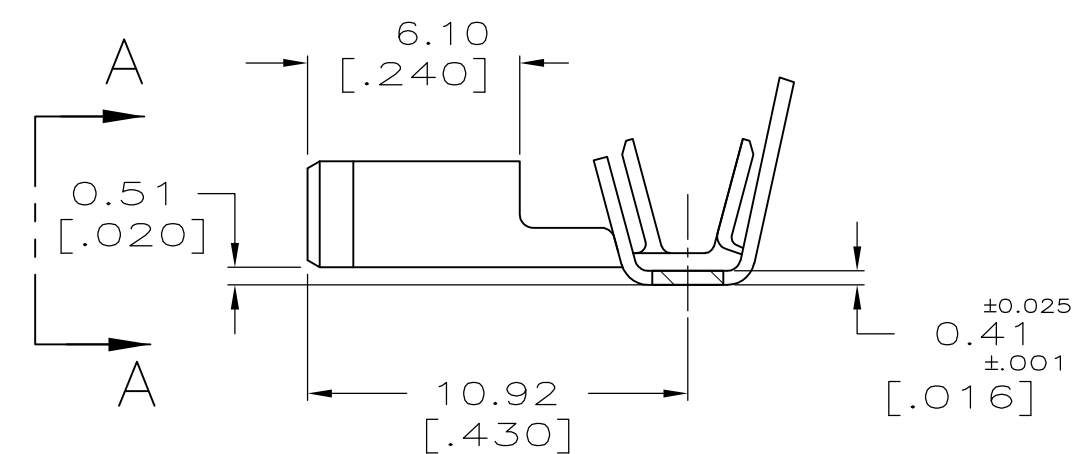
VIEW A-A



SECTION B-B



SECTION C-C



- 1 CONTINUOUS STRIP ON REELS.
- 2 MATING TAB THK IS 0.81±0.025 [.032±.001]
- 3 WIRE SIZE IS [#18-#14] AWG.
- 4 INSULATION RANGE IS 2.79-4.06 [.110-.160] DIA.
- 5 0.00381 [.000150] MIN TIN OVER 0.00254 [.000100] MIN COPPER.
- 6 PRELIMINARY - NOT FOR PRODUCTION

TIN OVER COPPER	5	6	63009-3
TIN			63009-2
-			63009-1
FINISH			PART NO

THIS DRAWING IS A CONTROLLED DOCUMENT.		DWN	JR RUTH	4/9/91	STE TE Connectivity								
DIMENSIONS: mm [INCHES]		CHK	MS FEHER	4/9/91									
		APVD	C MEYERS	4/9/91									
		TOLERANCES UNLESS OTHERWISE SPECIFIED:		NAME		RECEPTACLE, FASTON, FLAG, 6.35 [.250] SERIES							
MATERIAL: BRASS		FINISH: SEE TABLE		<table border="1"> <tr> <td>SIZE</td> <td>CAGE CODE</td> <td>DRAWING NO</td> <td>RESTRICTED TO</td> </tr> <tr> <td>A3</td> <td>00779</td> <td>C-63009</td> <td>-</td> </tr> </table>		SIZE	CAGE CODE	DRAWING NO	RESTRICTED TO	A3	00779	C-63009	-
SIZE	CAGE CODE	DRAWING NO	RESTRICTED TO										
A3	00779	C-63009	-										
CUSTOMER DRAWING		WEIGHT	-		SCALE: 5:1								
				SHEET: 1 of 1	REV: J1								